

4600



RFM

Resources For Manufacturing, Inc.



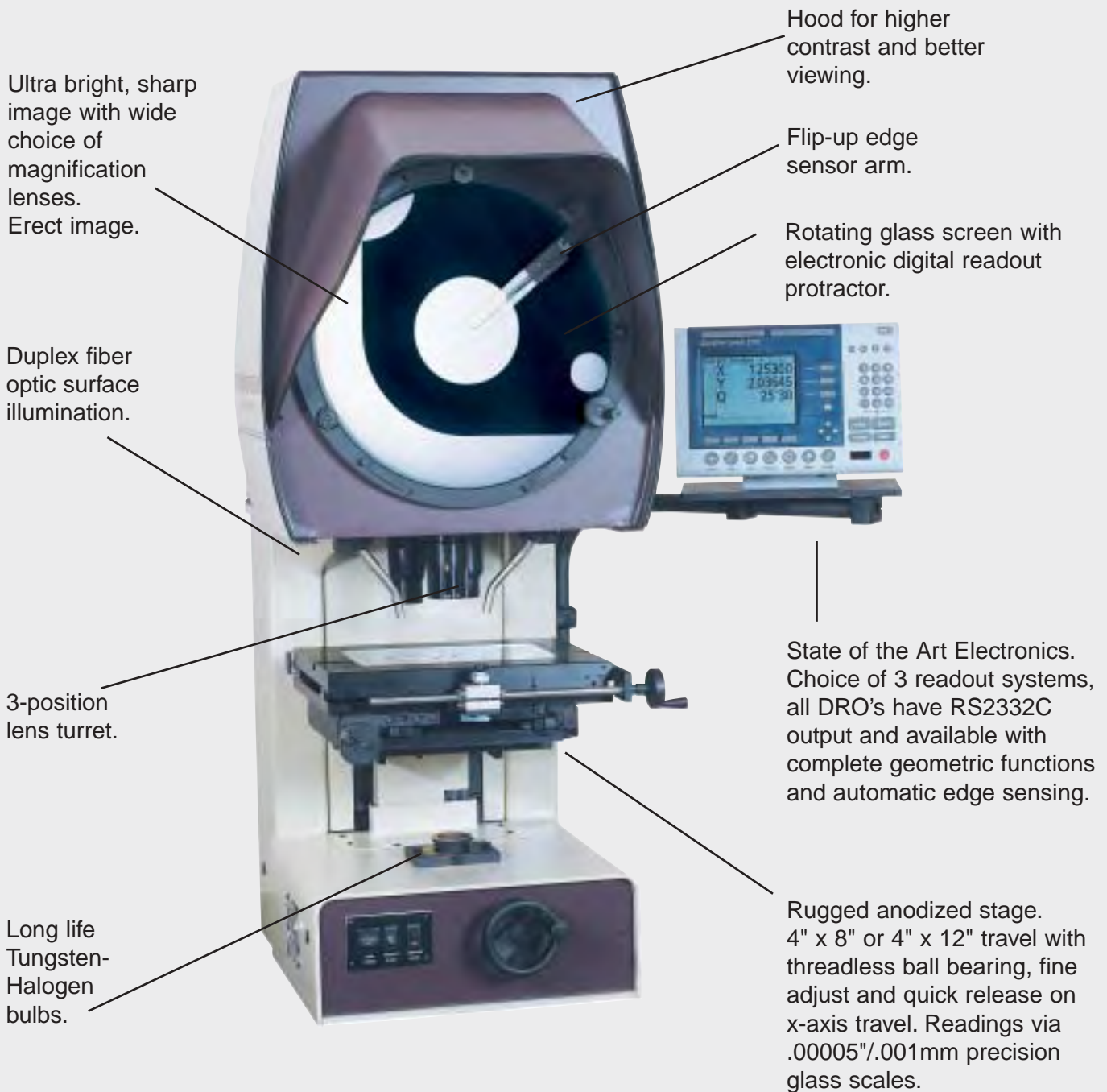
14" VERTICAL BEAM OPTICAL COMPARATOR

- **"50 Years"**
Manufacturing Experience in U.S.A.
- **"Heavy Duty"**
Steel Construction
- **"Exclusive"**
Gothic-Arch Bearings
- **"Superior"**
Optics-Brightness-Resolution
- **"Erect"** Image
- **"Large"**
4" x 8" or 4" X 12" Stage Travel

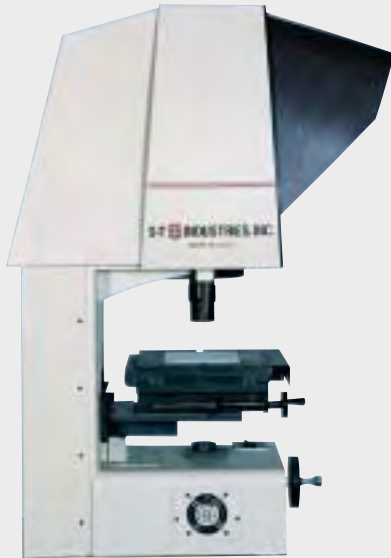
S-T  **INDUSTRIES, INC.**
SCHERR - TUMICO

See ^{the} Quality

14" COMPARATOR The "4600" Series 14" Vertical Beam Optical Comparator features a more rugged structure, a 4" x 8" or 4" x 12" travel measuring stage and a 3-position lens turret. Over 55 years experience manufacturing optical comparators in the U.S., combined with its nationwide service organization makes S-T Optical Comparators your best buy.



STANDARD FEATURES

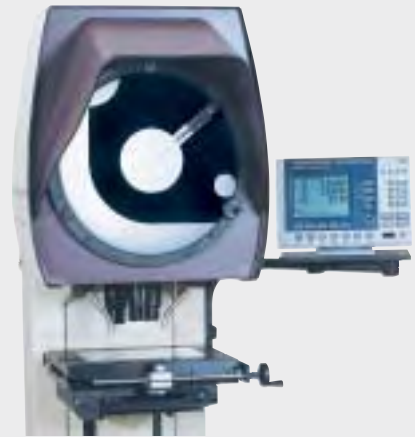


handwheel. Oversize ground bearings for smooth, accurate focus.

Anodized, high-precision measuring stage with 4" x 8" or 4" x 12" travel. Readings are via .00005"/.001mm precision glass scales. Cross travel via a threadless ball bearing, fine adjust and quick release on x-axis. Vertical travel, (focus-4"), via centrally located

All controls are easy to reach and read. Rotating glass screen with digital readout protractor, readings via "Q" axis of DRO.

Frosted glass screen with 30 and 90 degree crosslines and adjustable duplex fiber-optic surface illumination. Long-life Tungsten-Halogen bulbs for both profile and surface illumination. 3-position lens turret for quick change of magnification. Units with optional fiber-optic edge sensor have NEW flip-up arm for edge-sensor cable. The "4600" series comparator is available with your choice of three digital readout systems as shown below.



DIGITAL READOUTS

Quadra-Chek 221 and 221E

These powerful digital readouts provide fast geometric computations in a simple, easy to use format. Functions include point, line, circle, distance, angle, skew alignment and Measure Magic. Other features include Inch/MM, Cartesian/Polar, nearest/farthest distance, complimentary angles, serial and parallel ports and 200-feature memory. Large, high contrast LCD screen graphically displays measurement features and construction. Housing tilts backward or forward for best angle of operation. Model 221E includes fiber optic edge sensor.



Standard Digital Readout

The Standard digital readout features absolute/incremental, IN/MM conversion, random zeroing, RS232C output, linear error compensation and Q axis for digital screen protractor.



Quadra-Chek 4215

PC computer based geometric readout system, mouse driven, with on screen graphic representation of part or part segment as it is measured. Simple CAD interface simplifies constructions and part programming. Unlimited part and feature memory. Includes computer with Microsoft® Windows® fiber optic edge sensor and all functions found in the Quadra-Chek 200.

4600

FEATURES & SPECIFICATIONS



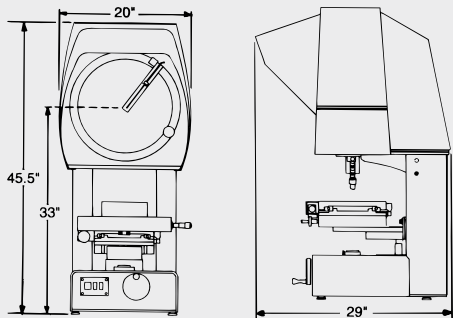
CATALOG #	DESCRIPTION
20-4600-00	14" Vertical Beam Comparator
20-4648-01	4" x 8" Stage with ST-7000 DRO
20-4648-02	4" x 8" Stage with QC-221 DRO
20-4648-03	4" x 8" Stage with QC-221E DRO
20-4648-05	4" x 8" Stage with QC-4215 DRO

NOTE: Also Available With 4" x 12", 2" x 2" or 2" x 6" Travel Stages

OPTIONS

CATALOG #	DESCRIPTION	CATALOG #	DESCRIPTION
20-0320-01	5 x Lens	20-0318-00	50 x Lens
20-0310-00	10 x Lens	20-0319-00	62 1/2 x Lens
20-0313-00	20 x Lens	20-0321-01	100 x Lens
20-0315-00	25 x Lens	20-1406-02	Console Base
20-0317-00	31 1/4 x Lens		

SPECIFICATIONS



Work Table: 10" x 14" or 10" x 18"
Measuring Range: 4" x 8" or 4" x 12"
Allowable Work Load on Stage: 25 lbs.
Illumination: Profile - 150w, Surface - 100w
Focus Travel: 4"
Screen Size: 14"
Floor Space: 19" x 29"
Electrical: 100-240v, 50/60hz Compatible
Weight: 280 lbs. - Crated 350 lbs.

THE S-T FAMILY OF OPTICAL COMPARATORS



CALL OR WRITE TODAY FOR FREE INFORMATION ON ANY OF THE ABOVE

RFM

Resources For Manufacturing, Inc.

P.O. Box 751432 Dayton, OH 45475
 Ph: (937) 436-4699 Fx: (937) 436-9244
 Sales@RFMInc.net www.RFMInc.net

International Operations

SCHERR-TUMICO optical comparators and video inspection systems are available throughout the industrialized world. S-T Industries maintains a service and distribution network with factory qualified sales and service representatives in the following countries. Call or write for your representative.

Australia	Canada	France	Germany	Great Britain
Greece	Holland	Hong Kong	India	Indonesia
Israel	Italy	Malaysia	Mexico	New Zealand
Norway	Singapore	South Africa	South America	South Korea
Spain	Sweden	Taiwan	Thailand	Turkey